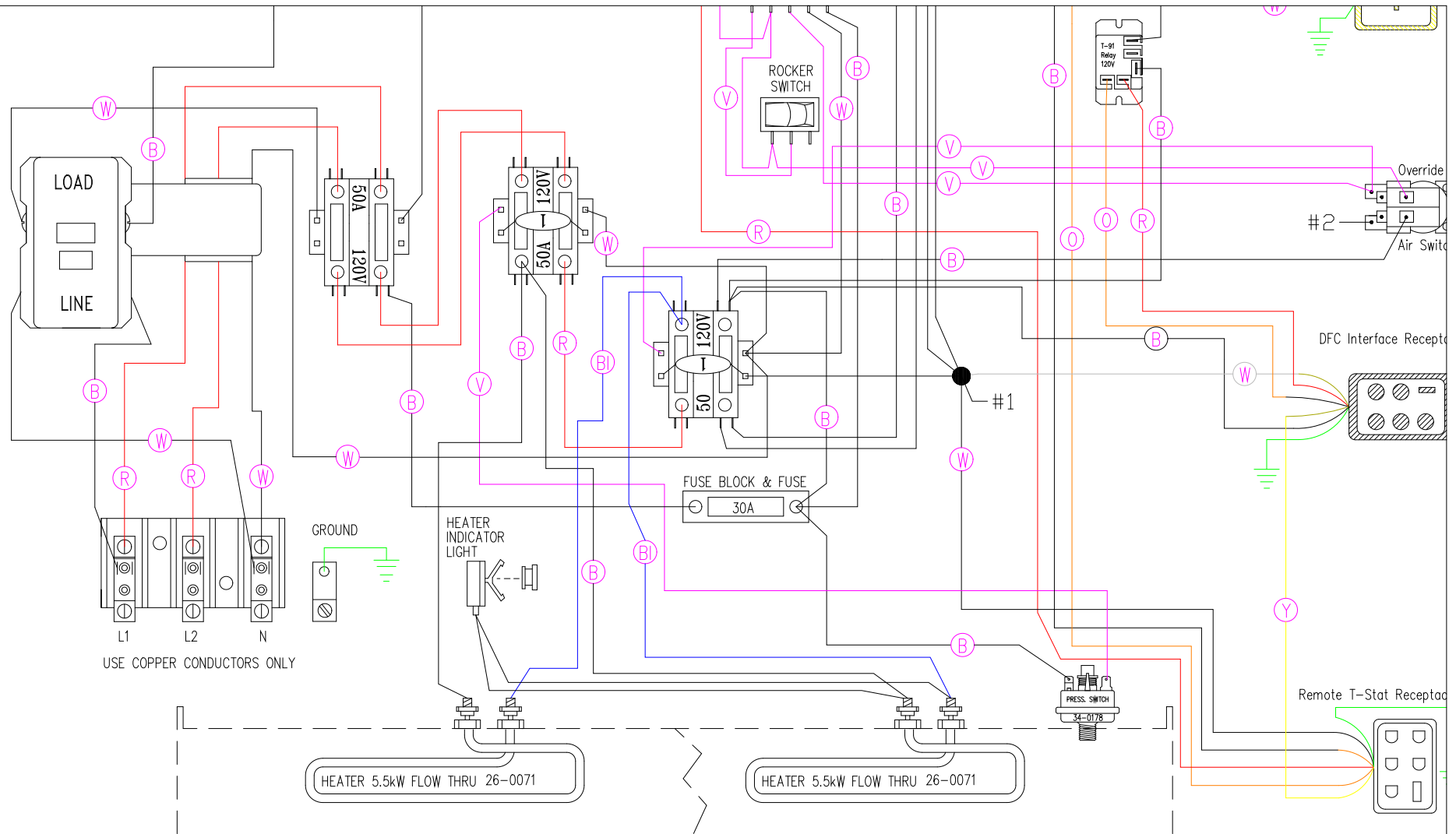


Manufacture Notes:

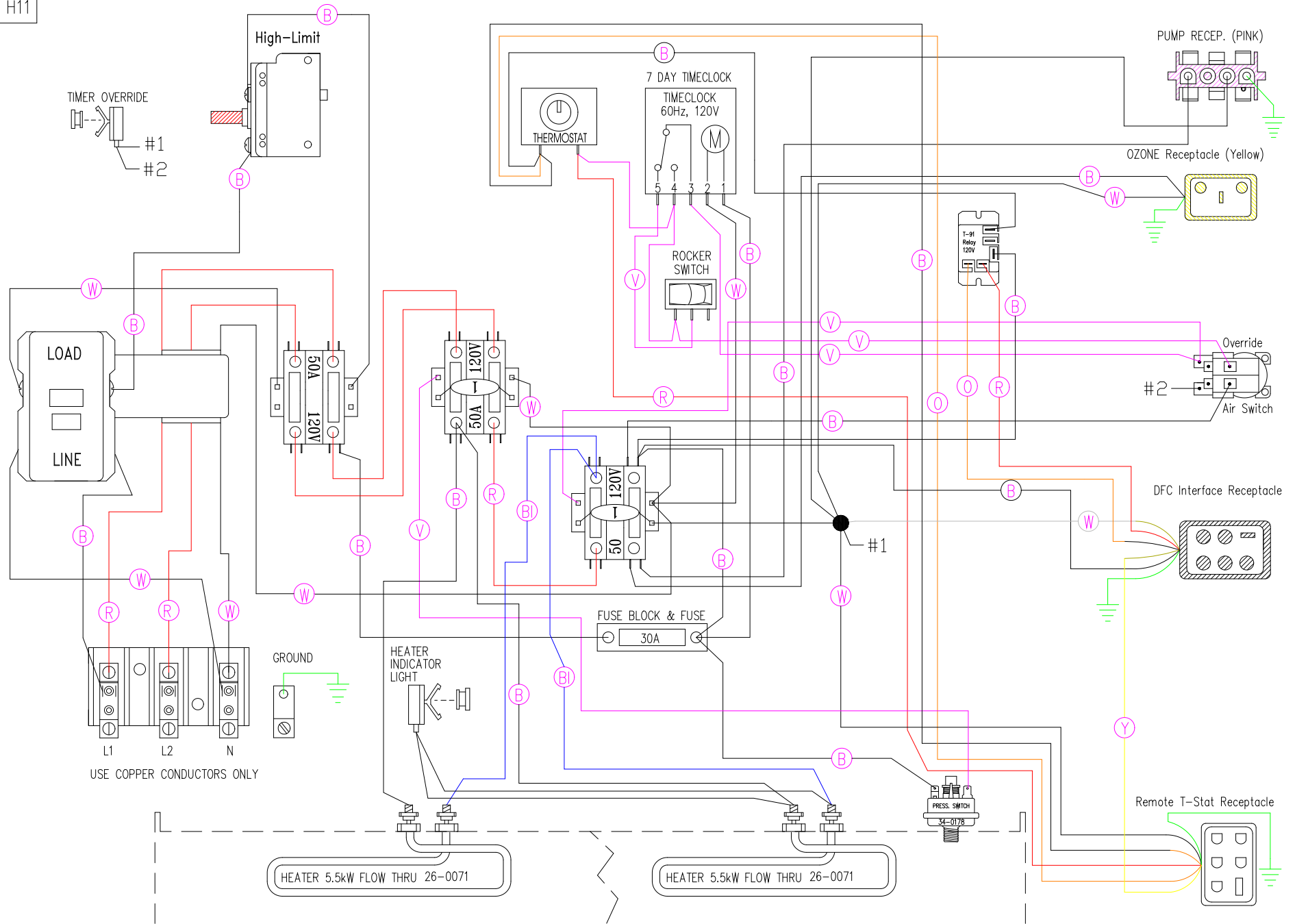
Drawn	MBS	Rev	2
Date	07.31.08		
Diagram No.	1803		
Wire Color Code			
B - Black	G - Green		
Br - Brown	Bl - Blue		
R - Red	V - Violet		
O - Orange	W - White		
Y - Yellow	Gr - Gray		



Manufacture Notes:

Drawn MBS	Rev 2	Wire Color Code
Date 07.31.08		B - Black G - Green
Diagram No. 1803		Br - Brown Bl - Blue
		R - Red V - Yellow
		O - Orange W - White
		Y - Yellow Gr - Ground

H11



Manufacture Notes:

Drawn	Rev	2	Wire Color Code	
MBS			B - Black	G - Green
Date	07.31.08		Br - Brown	Bl - Blue
Diagram No.	1803		R - Red	V - Violet
			O - Orange	W - White
			Y - Yellow	Gr - Gray